

## Coffee System

### Coffee Grinder with Hopper, 0,7 kg, black with medium duty grinder

ITEM # \_\_\_\_\_

MODEL # \_\_\_\_\_

NAME # \_\_\_\_\_

SIS # \_\_\_\_\_

AIA # \_\_\_\_\_


**600656 (E810)**

Single Portion Grinder with one 0,7 kg hopper (grind types: Espresso, Fine, Auto Drip, Drip, Percolator) - medium duty grinder

### Short Form Specification

Item No. \_\_\_\_\_

Coffee grinder with hopper, black color. Fast grind time, suitable for various types of coffee. Compact dimensions for table top configuration.

Powerful motor with circuit breaker and manual on/off switch.

### Main Features

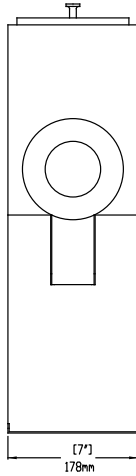
- Easy-to-Follow instructions.
- Available in black finish.
- Automatic Shut-off.
- Ideal for low to medium volume specialty shops, grocery and convenience stores.
- Espresso to percolator grind selection.
- Grind types: Espresso, Fine, Auto Drip, Drip, Percolator.
- How to Operate:
  - 1. Turn the selector knob to the desired grind setting.
  - 2. Fill the hopper with the desired type and amount of whole bean coffee. Close the lid.
  - 3. Place the bag underneath the spout.
  - 4. Press the grinder switch to the ON position.
  - 5. Once coffee is ground, press the grinder switch to the off position or grinder will continuously run.
  - 6. Remove bag from coffee spout once coffee is ground.

### Construction

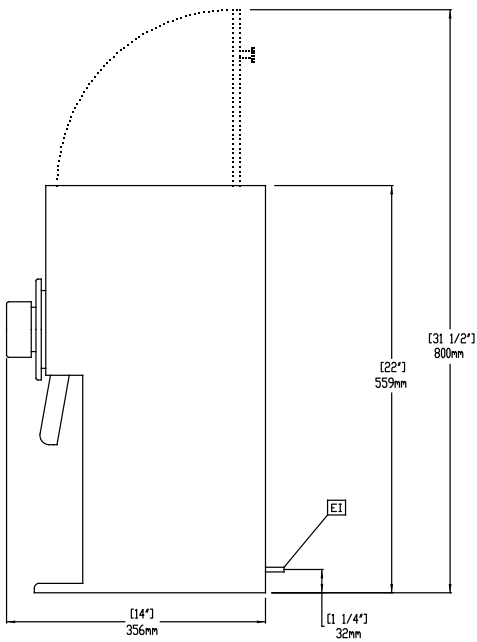
- Compact dimensions for table top configuration.
- Powerful motor with circuit breaker.
- Manual On/Off switch.
- Space saving design - 18cm wide.

APPROVAL: \_\_\_\_\_

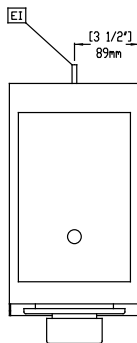
Front



Side



Top



## Electric

|                        |                   |
|------------------------|-------------------|
| Supply voltage:        | 230 V/1N ph/50 Hz |
| 600656 (E810)          |                   |
| Electrical power max.: | 0.8 kW            |

## Key Information:

|                              |                     |
|------------------------------|---------------------|
| External dimensions, Width:  | 178 mm              |
| External dimensions, Depth:  | 356 mm              |
| External dimensions, Height: | 559 mm              |
| Net weight:                  | 17 kg               |
| Shipping weight:             | 23.5 kg             |
| Shipping height:             | 800 mm              |
| Shipping width:              | 320 mm              |
| Shipping depth:              | 470 mm              |
| Shipping volume:             | 0.12 m <sup>3</sup> |